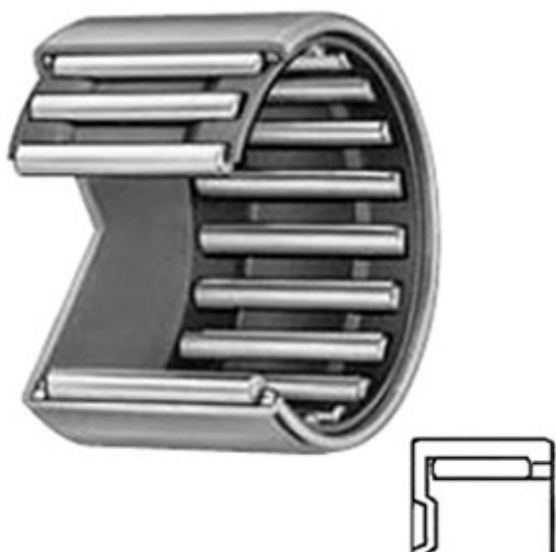




## Accessories Bearing Co., Ltd.



TLAM1412 Bearing 2D drawings and 3D CAD models

0.551 Inch | 14 Millimeter x 0.787 Inch | 20  
Millimeter x 0.472 Inch | 12 Millimeter IKO  
TLAM1412 Needle Non Thrust Roller Bearings

Bearing No. TLAM1412

Category	Needle Non Thrust Roller Bearings
Inventory	0.0
Manufacturer Name	IKO
Minimum Buy Quantity	N/A
Weight	0.01
EAN	4549557057755
Product Group	B04144
Rolling Element	Needle Roller Bearing
Component	Roller Assembly with Outer Ring - No Inner Ring
Enclosure	Open
Self Aligning	No
Retainer	Yes
Number of Rows of Rollers	Single Row
Separable	No
Closed End	Yes
Inch - Metric	Metric
Relubricatable	No
Thrust Bearing	No
Long Description	14MM Bore; 20MM Outside Diameter; 12MM Width; Needle Roller Bearing; Roller Assembly with Outer Ring - No Inner Ring; Open Enclosure; No Self Aligning; Retainer;



## Accessories Bearing Co., Ltd.

	Single Row of Rollers; No Separable; C
Other Features	1 Rib Outer Ring   Drawn Cup Bearing
Category	Needle Non Thrust Roller Bearing
UNSPSC	31171512
Harmonized Tariff Code	8482.40.00.00
Noun	Bearing
Keyword String	Needle
Manufacturer URL	<a href="http://www.ikont.com">http://www.ikont.com</a>
Manufacturer Item Number	TLAM1412
Weight / LBS	0.024
B	0.472 Inch   12 Millimeter
d	0.551 Inch   14 Millimeter
D	0.787 Inch   20 Millimeter